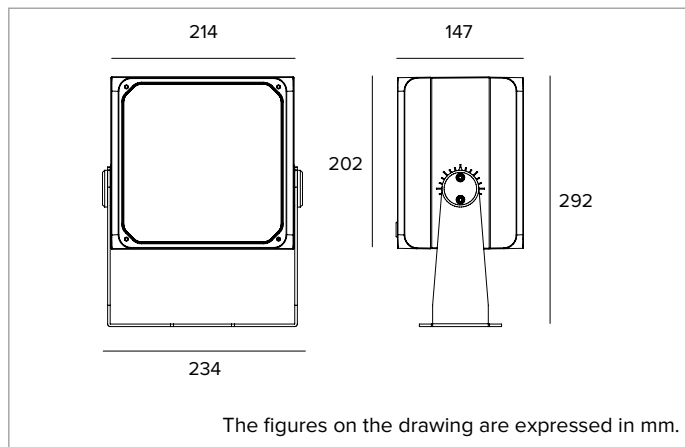


## 1E3943EL | DART Maxi

### Professional adjustable LED projector



|               | 4000K            | H(m) | D(m)    | Emax(lx) |      |      |
|---------------|------------------|------|---------|----------|------|------|
|               | Ra80             |      | 8°      |          |      |      |
| Fixture Power | 24W              | 1    | 0.15    | 79602    |      |      |
| Source Flux   | 3093lm           | 2    | 0.29    | 19901    |      |      |
| Fixture Flux  | 1774lm           | 3    | 0.44    | 8845     |      |      |
| Efficacy      | 73lm/W           | 4    | 0.58    | 4975     |      |      |
| TS1705        | Imax=25736cd/klm | Imax | 79602cd | 5        | 0.73 | 3184 |



#### SOURCE

High efficiency Chip on Board LED Ra80.

**Energy efficiency class:** D

**Nominal power:** 21W

**Nominal flux:** 3093lm

**Colour rendering index:** 80

**Rf:** 81

**Rg:** 97

**CCT nominal:** 4000K

**SDCM:** 2

**Lifetime (L80/B10):** >50000h tq +25°C

#### ILLUMINOTECHNICAL CHARACTERISTICS

Indirect optic with the LED module directed towards the highly reflective anodised aluminium parabolic reflector, with a transparent PMMA refractive screen and heat-pipe dissipation.

**Optic:** INDIRECT

**Beam angles:** NSP

**Optical efficiency:** 57%

**Fixture flux:** 1774lm

**Luminous efficacy:** 73lm/W

**Photobiological safety:** Compliant with RG1 low risk group

#### MECHANICAL CHARACTERISTICS

Painted die-cast anodised aluminium body and painted stainless steel mounting bracket. ±45° rotation on the horizontal plane and 0-180° on the vertical plane.

**Colour and finish:** Ferrite

**Weight:** 6.7Kg

**Degree of protection:** IP66

**Mechanical Resistance:** IK10

#### ELECTRICAL CHARACTERISTICS

Complete with electronic ON-OFF power supply. Pre-cabled with a 1.5m H07RN-F cable. Luminaire compliant with EN 60598-2-22 for power supply from a centralised emergency system CPSS (Central Power Supply System), not incorporated in the luminaire - high risk areas excluded. The default power and flux are 100% in AC and 100% in DC.

**Fixture Power:** 24W

**Power supply:** 220-240Vac 50/60Hz

**Insulation Class:** CLASS 1

**Type of driver / Control:** ON-OFF

**Driver included:** YES

**Class F:** YES

**SAFE FLICKER:** PstLM=<1 and SVM=<0.4 (IEC TR 61547-1 and IEC TR 63158), to ensure a more comfortable and safe light

**Ambient temperature:** -25°C / +35°C

#### INSTALLATION

Mounting bracket with aiming adjustability.

#### NOTES

Uses the "Waterblock Smart" technical solution that involves resin coating the connection cables, limiting the risk of humidity reaching the driver or the fixture. It is possible to subject the product to Cataphoresis treatment on request. 110-277Vac version available on request.

#### WARRANTY

5 years.

#### WARNING

Luminaire designed for disposal/recycling at end-of-life. Replaceable (LED only) light source by a professional. Replaceable control gear by a professional.

*Due to the technological evolution of the electronic components, the data provided may be updated, and as such, confirmation must be requested during the order process.*

*Luminous flux and power supply have +/-10% tolerances with respect to the indicated value. tq +25°C (CIE 121).*

*We reserve the right to make technical changes.*

Targetti Sankey S.r.l.  
Via Pratese, 164  
50145 Firenze - Italy  
Tel: +39 055 37911  
targetti.com  
targetti@targetti.com

CCIAA Firenze  
Share Capital:  
€ 500.000,00  
VAT N. (IT):  
01537660480  
R.E.A: FI-275656

**TARGETTI**

# 1E3943EL | DART Maxi Professional adjustable LED projector

## Accessories

### Filter



Code

**1E3094**

Blade of light filter.  
PMMA holographic filter for a blade of light effect.  
To be completed with a dedicated holder ring.  
Diameter 168mm.

### Grid



Colour

Code



**1E3096**

Anti-glare louver.  
The central elements may be removed to obtain two different levels of glare control.  
Powder coated stainless steel.

### Screen



Colour

Code



**1E3095**

Asymmetric screen.  
Powder coated stainless steel.

## Mounting System



Colour

Code



**1E3026**

Plate for fixture rotation.  
Powder coated stainless steel.



Dimensions  
ØxH mm

Colour

Code

150x352



**1E3188**

Earthspike.  
Powder coated stainless steel.



Colour

Code



**1E2825**

Pole bracket.  
Anodised and powder coated aluminium.  
Pole Ø 60mm (+/-2mm).



Colour

Code



**1E3097**

Pole multiple mounting system.  
Powder coated stainless steel.  
To be completed with 1E2825.  
Max 4 projectors.

Due to the technological evolution of the electronic components, the data provided may be updated, and as such, confirmation must be requested during the order process.  
Luminous flux and power supply have +/-10% tolerances with respect to the indicated value. tq +25°C (CIE 121).

We reserve the right to make technical changes.

Targetti Sankey S.r.l.  
Via Pratese, 164  
50145 Firenze - Italy  
Tel: +39 055 37911  
targetti.com  
targetti@targetti.com

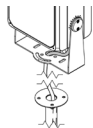
CCIAA Firenze  
Share Capital:  
€ 500.000,00  
VAT N. (IT):  
01537660480  
R.E.A.: FI-275656

**TARGETTI**

# 1E3943EL | DART Maxi

## Professional adjustable LED projector

### Mounting System



Colour Code

● 1E3187

Pole with base.  
Powder coated stainless steel.

### Holder Ring



Colour Code

● 1E3093

Holder ring.  
Powder coated stainless steel.  
Ax B 195x195mm.

### Tool



Colour Code

● 1E3098

Laser pointing system.  
Installed by friction on the projector's body.  
Powder coated stainless steel.  
Laser included.

### Connector



Code

1E2769

Linear connection box IP66/IP68.  
5 poles max. wire section 1.5mm<sup>2</sup>.  
Cable diameter range from 7 to 12mm.



Code

1E2494

Multiple connection box IP68.  
1 IN - 3 OUT 4 poles max. wire section 2.5mm<sup>2</sup>.  
Cable diameter range from 6 to 12mm.

### Surge protector



Code

A013A

Surge protector compatible with CLASS I lighting fixtures.  
Operating voltage 230-277Vac.  
SPD type 2+3.  
Max surge protection 10kV.  
CLASS I  
IP67

Due to the technological evolution of the electronic components, the data provided may be updated, and as such, confirmation must be requested during the order process.  
Luminous flux and power supply have +/-10% tolerances with respect to the indicated value. tq +25°C (CIE 121).

We reserve the right to make technical changes.

Targetti Sankey S.r.l.  
Via Pratese, 164  
50145 Firenze - Italy  
Tel: +39 055 37911  
targetti.com  
targetti@targetti.com

CCIAA Firenze  
Share Capital:  
€ 500.000,00  
VAT N. (IT):  
01537660480  
R.E.A: FI-275656

**TARGETTI**